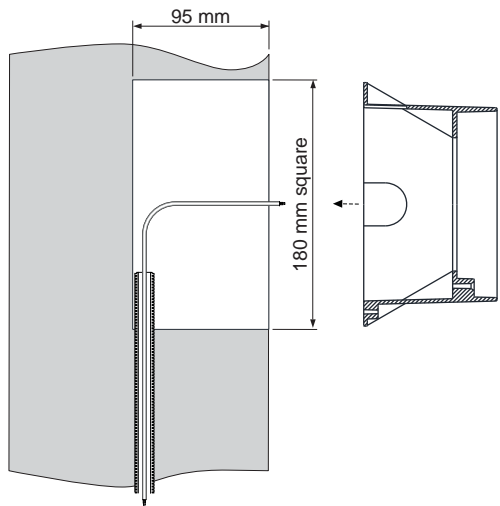
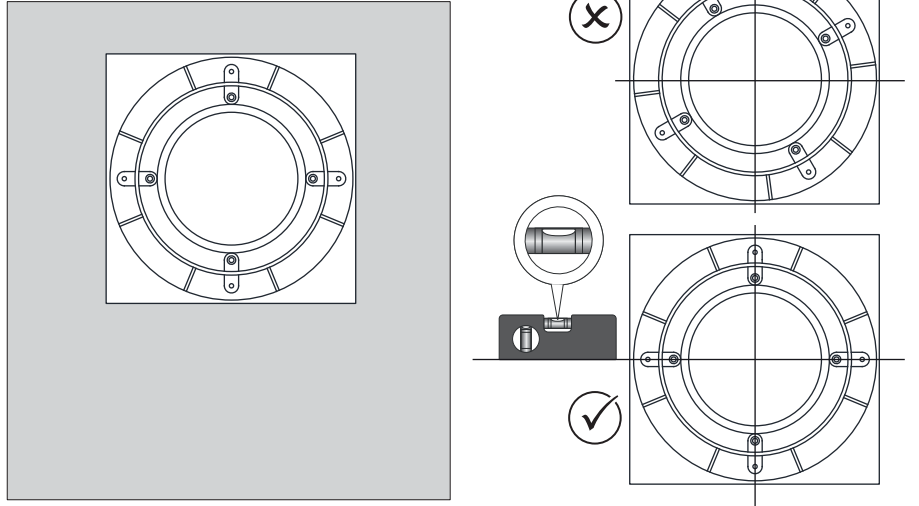


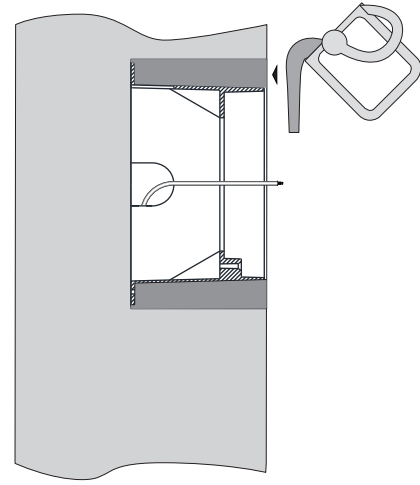
**1** Prepare hole in wall and add H07RN F cable with protection sheath (not supplied)



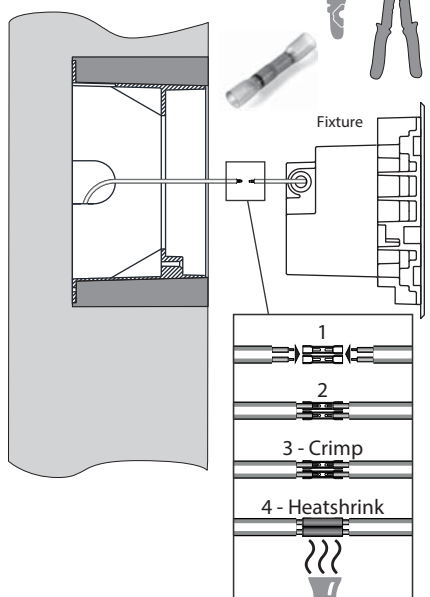
**2** Secure outer casing to hole in wall



**3** Secure outer casing to hole in wall and fill around outer casing with cement



**4** Make electrical connection



**5** Fix Fitting and Cover into outer casing using x 2 screws to finish

